

■DESCRIPTION

The ER-1215S is a hand grip type, 15 W output megaphone with a siren.  
 Pressing the siren button sounds a siren continuously in emergency conditions.  
 Handle and microphone with anti-bacteria treatment improve hygiene and safety during use.  
 The newly developed polyimide diaphragm is employed to ensure high sound quality.

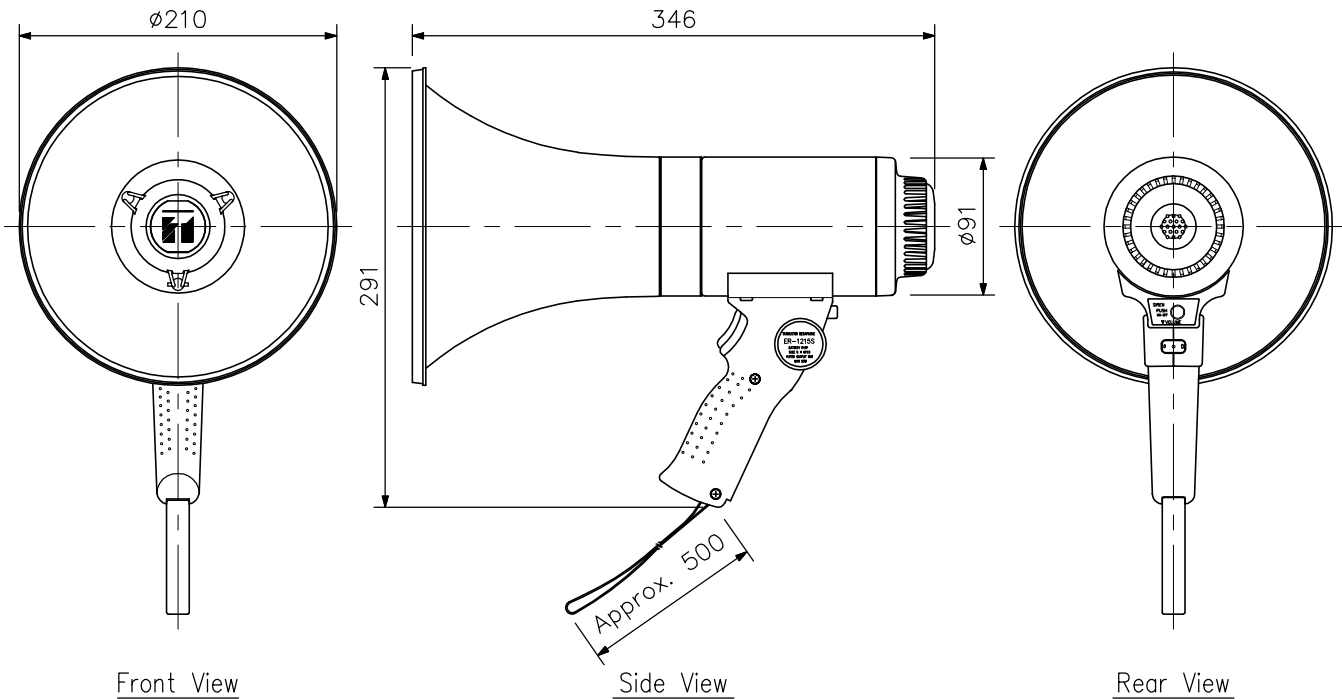
■SPECIFICATIONS

Power Source	R14P (C) × 6 (9 V DC)
Rated Output	15 W
Maximum Output	23 W
Signal Sound	Siren (sounds at 5 seconds intervals)
Battery Life	Voice: Approx. 14 hours (JEITA)* Siren: Approx. 20 minutes (JEITA)*
Audible Range	Voice: Approx. 315 m (JEITA)* Siren: Approx. 500 m (JEITA)*
Diaphragm	Polyimide film (voice coil, bobbin)
Anti-bacteria Treatment	Mouth and handle
Operating Temperature	-10°C to +40°C
Finish	Horn, mouth, battery case and handle: ABS resin, red Strap: Nylon, black
Dimensions	210 (W) × 291 (H) × 346 (D) mm
Weight	1.2 kg (without batteries)

Note: Batteries are optional.

\* JEITA: Japan electronics and information technology industries association. (EIAJ TT-4501A)

■APPEARANCE



<Note on the audible range and battery life>

1. The indications of the audible range and battery life are based on the JEITA Standard\*.
2. Audible range presumes that the megaphone employs new batteries and is used on a quiet street.  
It varies depending on such conditions as battery consumption, ambient noise, wind direction, and obstacles.
3. Battery life assumes that megaphone is used for 30 minutes a day.

UNIT:mm SCALE:1/5