

MEGAPHONES

ER-2215 ER-2215W

Thank you for purchasing TOA's Megaphones. Please carefully follow the instructions in this manual to ensure long, trouble-free use of your equipment.

1. SAFETY PRECAUTIONS

- Before installation or use, be sure to carefully read all the instructions in this section for correct and safe operation.
- Be sure to follow all the precautionary instructions in this section, which contain important warnings and/or cautions regarding safety.
- After reading, keep this manual handy for future reference.

CAUTION

Indicates a potentially hazardous situation which, if mishandled, could result in moderate or minor personal injury, and/or property damage.

- **Cautions on Use**
Be sure to observe the following instructions. Failing to observe may cause hearing impairment.
 - Reduce the volume to its lowest setting before use.
 - Never use the megaphone in close proximity to a person's ear.
 - Point the megaphone toward the ground when conducting operational tests.
- Make sure to observe the following handling precautions so that a fire or personal injury does not result from leakage or explosion of the battery.
 - Do not short, disassemble, heat nor put the battery into a fire.
 - Avoid using both new and old batteries together.
 - Never charge batteries of the type which are not rechargeable.
 - Do not solder a battery directly.
 - Be sure to use the specified type of batteries.
 - Note correct polarity (positive and negative orientation) when inserting a battery in the unit.
 - Avoid locations exposed to the direct sunlight, high temperature and high humidity when storing batteries.

2. GENERAL DESCRIPTION

Shoulder-held 15 W megaphones with a removable microphone. In addition, the ER-2215W is equipped with a whistle switch. The megaphones can be mounted on the optionally available ST-16 Speaker Stand. Microphone with anti-bacteria treatment improve hygiene and safety during use.

3. HANDLING PRECAUTIONS

- The ER-2215/2215W megaphones are not waterproof. Avoid exposure to rain or environments where they may be splashed by water or other liquids.
- Immediately contact your TOA dealer if the following irregularities should occur. To avoid unit failure, make no further attempt to use the unit in these conditions.
 - Smoke coming from the unit or a strange smell detected.
 - Water or other foreign objects get inside the unit.
 - No sound heard (after checking to be sure that the batteries are loaded in correct orientation, and satisfactorily charged).
- Avoid storing the unit in humid or dusty locations, in locations exposed to direct sunlight, near heaters, or exposed to sooty smoke, as these conditions may result in unit failure.
- When batteries are left installed in the megaphone for extended periods of time, be sure to check them periodically for charge and leakage.
- Do not use the unit for extended periods of time with a distorted sound output. This could cause the inner parts to become hot and possibly result in unit failure.
- Noise may be produced when a mobile phone is used near the unit. However, this is not a failure. Use the mobile phone as far as possible from the unit.
- Use a tightly wrung-out damp cloth to clean the unit. If the unit becomes extremely dirty, use a cloth moistened in a neutral detergent and tightly wrung-out. Never use volatile liquids such as benzene, thinner, or alcohol to clean the unit, as these may deform or discolor its case.

4. SPECIFICATIONS

Model No.	ER-2215	ER-2215W
Power Source	C (R14P) battery x 6 (9 V DC)	
Output	Rated 15 W, Max. 23 W	
Signal	—	Whistle (1,600 to 2,400 Hz)
Battery Life* ¹ (approx.)	Voice: 9 hours	Voice: 9 hours Signal: 20 minutes
Audible Range* ² (approx.)	Voice: 400 m	Voice: 400 m Signal: 500 m
Diaphragm	Polyimide film (voice coil, bobbin)	
Anti-bacteria Treatment	Microphone	
Operating Temperature	-10°C to +40°C	
Finish	Horn: ABS resin, light gray Others: ABS resin, gray	
Dimensions	ø210 x 336 (length) mm	
Weight (Body)* ³	1.1 kg	1.2 kg
Weight (Microphone)	150 g (cable excluded)	

*¹ Battery life estimates assume 30 minutes of continuous use per day.

*² Audible range estimates assume use on a relatively quiet street using new batteries and will vary depending on remaining battery capacity, surrounding noise, wind direction, obstacles and other environmental conditions.

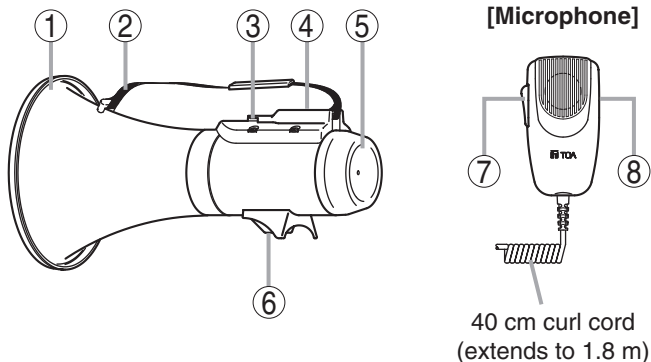
*³ Without microphone and batteries

Notes

- No accessory batteries are supplied.
- The design and specifications are subject to change without notice for improvement.

• **Optional products**
Speaker stand: ST-16

5. NOMENCLATURE AND FUNCTIONS



1. Speaker (outer horn)

2. Shoulder strap

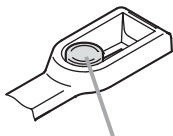
Use this strap to hang the unit from the shoulder for transport or use.
(Length: approx. 1 m)

3. Microphone hanger

Hook the microphone onto this hanger when not using it.

4. Signal tone switch (ER-2215W only)

A whistle tone sounds while this switch is pressed, and stops when released.



Signal tone switch

Note

Output volume is fixed, and cannot be adjusted with the volume control.

5. Battery Cover

The battery compartment is built inside.
When replacing the batteries, turn counterclockwise to open the cover, and clockwise to close it.

6. Stand socket

The megaphone can be mounted on the optionally available ST-16 Speaker Stand using the threaded hole on its bottom.
For mounting details, refer to the ST-16 instruction manual.

7. Talk switch

Press to talk (power turns ON). Release to turn the power OFF.

8. Volume control

Rotate upward to increase output volume.



7. HOW TO USE

CAUTION

- Before pressing the microphone's talk switch, fully turn down the volume.
- Point the megaphone toward the ground when conducting operational tests.

Step 1. Detach the microphone from the microphone hanger.

Step 2. Using the volume control, adjust the volume to an appropriate level that does not generate feedback when holding down the talk switch.

Howling is more likely to occur when using the megaphone indoors or in other reverberant places. Particularly when the batteries are new, it may be impossible to adjust the volume to maximum without causing howling. In such cases, set the volume to about mid-level.

Step 3. Speak into the microphone while holding it about 1 cm away from the mouth.

Note

Speaking too far from the microphone or in too soft voice may result in insufficient volume.

[When Attaching the Microphone]

Reduce the volume to its lowest setting, then press the microphone onto the hanger. Leaving the volume set higher can cause howling if the talk switch is accidentally pressed when attaching or removing the microphone.

6. REPLACING THE BATTERIES

Step 1. Rotate the battery cover counterclockwise to remove it.

Step 2. Insert six C batteries referring to the polarity diagram on the inside of the battery compartment.

Step 3. Insert the tab on the inside of the battery cover into the slot in the battery compartment as shown and turn the battery cover clockwise until tight.

