

GARDEN SPEAKER GS-302

Please follow the instructions in this manual to obtain the optimum results from this unit. We also recommend that you keep this manual handy for future reference.

1. SAFETY PRECAUTIONS

- Be sure to read the instructions in this section carefully before use.
- Make sure to observe the instructions in this manual as the conventions of safety symbols and messages regarded as very important precautions are included.
- We also recommend you keep this instruction manual handy for future reference.

WARNING

Indicates a potentially hazardous situation which, if mishandled, could result in death or serious personal injury.

- Leave the installation to your TOA dealer because the installation requires expert knowledge. Improper installation may cause the unit to fall, resulting in personal injury and/or property damage.
- Should the following irregularity be found during use, immediately stop operating the unit and contact your nearest TOA dealer. Further attempt to use under this condition may cause fire or electric shock.
 - If you detect smoke or a strange smell coming from the unit
 - If no tone sounds

CAUTION

Indicates a potentially hazardous situation which, if mishandled, could result in moderate or minor personal injury, and/or property damage.

- Do not kick nor stand on the unit as this may cause it to break, resulting in personal injury.
- Avoid installing the unit in locations where it may be directly splashed by sprinklers or by hosing, as doing so may result in fire or electric shock.
- Do not operate the unit for an extended period of time with the sound distorting. This is an indication of a malfunction, which in turn can cause heat to generate and result in a fire.

2. GENERAL DESCRIPTION

The GS-302 is a compact Garden Speaker ideal for paging and background music broadcast in such places as gardens, theme parks and resort facilities.

Corrosion resistant material is adopted to the speaker exterior, ensuring prolonged use of the speaker in a water-splashed environment.

The appearance of Garden Speaker is designed so inconspicuous that the speaker can be installed in shrubberies of garden blending with the surroundings.

3. INPUT SETTINGS

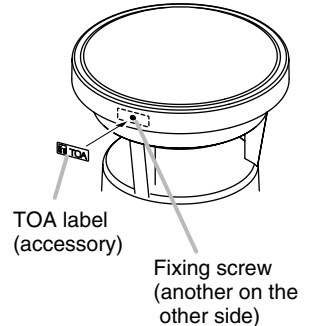
Note: The speaker operates on a 100 V line (high impedance line). Never connect the speaker to a low impedance line as it may be damaged.

3.1. When Using the Speaker at the Factory-preset Input

The speaker's input is factory-preset to 15W (670 Ω).

Note: To change the factory-preset input, be sure to read the next paragraph.

Attach the supplied TOA label (2 sheets) to the side of top cover in the way it hides the fixing screw head.



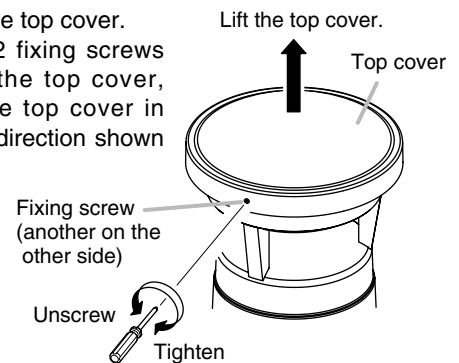
Tip
The TOA labels hide the fixing screw heads on the top cover for tamper prevention purpose.

3.2. When Changing the Input

The speaker's input is factory-preset to 15 W (670 Ω).

Step 1. Remove the top cover.

Unscrew 2 fixing screws securing the top cover, and lift the top cover in the arrow direction shown at right.



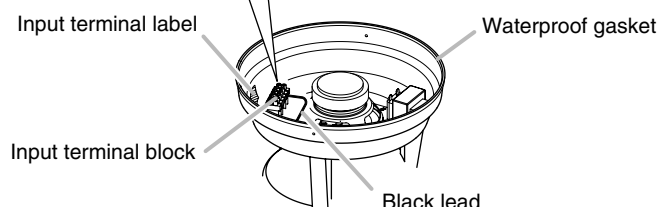
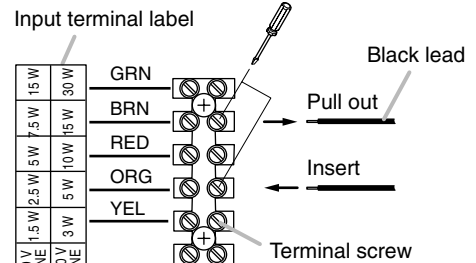
Step 2. Disconnect the black lead from the input terminal, and reconnect it to the terminal of desired input.

Turn the terminal screw counterclockwise to pull out a lead, and clockwise to tighten it. For the connection to the input terminal, refer to the input terminal label inside the case.

Note

Be sure to tighten unused terminal screws to avoid their vibration.

Example for changing input from 15 W (factory-preset) to 5 W

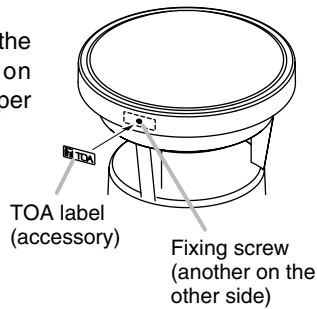


Step 3. Replace the removed top cover. Securely tighten the top cover screws (2 pieces) removed in **Step 1**.

Note: When installing the top cover, check to confirm that the waterproof gasket does not come off.

Step 4. Attach the supplied TOA label (2 sheets) to the side of top cover in the way it hides the fixing screw head.

Tip
The TOA labels hide the fixing screw heads on the top cover for tamper prevention purpose.



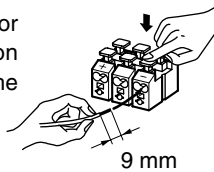
4. INSTALLATION

Notes

- Neither anchor bolts, nuts, nor other hardware necessary for the GS-302 installation is supplied with the product. Prepare appropriate hardware for a base (substructure) used at installation site.
- For the mounting hole diameter, refer to the dimensional diagram in Section "NOMENCLATURE AND DIMENSIONS [Bottom]".
- Be sure that the height of ground level does not exceed the stepped boundary line on the surface of speaker base. (Refer to the figure below.)

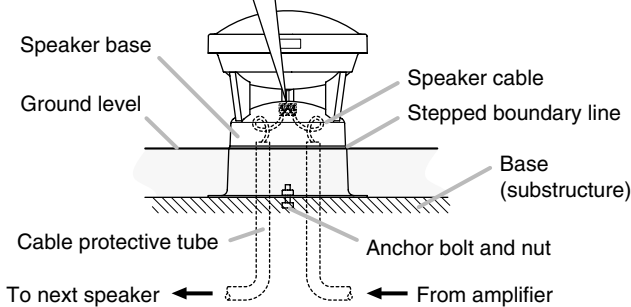
Cable connection to the push-in terminal block

Fully press the positive (+) or negative (-) terminal button and insert the cable into the hole of the terminal.



Note

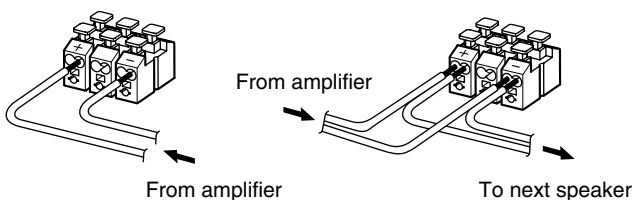
To remove the cable, press the terminal button fully, and then pull out the cable.



Step 1. Connect the speaker cables that have been run through the cable protective tube to the push-in terminals inside the speaker base.

(If not bridging)

(If bridging)

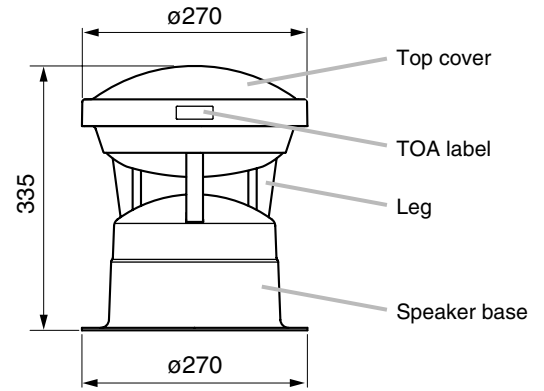


Step 2. Fix the speaker with nuts to the anchor bolts (3 pieces) anchored to a base (substructure) in the ground.

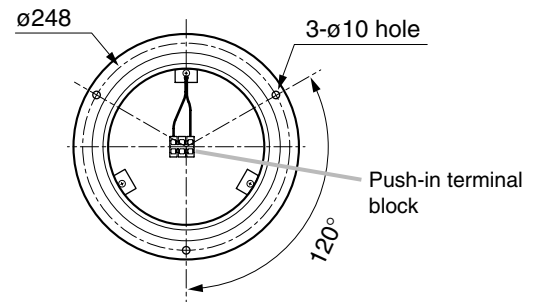
5. NOMENCLATURE AND DIMENSIONALS

Unit: mm

[Front]



[Bottom]



6. SPECIFICATIONS

Enclosure	Shield type
Rated Input	30 W (100 V line), 15 W (70 V line)
Rated Impedance	100 V line: 330 Ω (30 W), 670 Ω (15 W), 1 kΩ (10 W), 2 kΩ (5 W), 3.3 kΩ (3 W) 70 V line: 330 Ω (15 W), 670 Ω (7.5 W), 1 kΩ (5 W), 2 kΩ (2.5 W), 3.3 kΩ (1.5 W)
Sensitivity	87 dB (1 W, 1 m)
Frequency Response	100 – 8,000 Hz
Speaker Component	12 cm splash-proof cone-type
Input Terminal	Push-in terminal block
Usable Cable	Solid copper wire: $\phi 0.8 - \phi 1.6$ mm Stranded copper wire: 0.75 – 1.25 mm ²
Water Capability	IPX4 or equivalent
Finish	Top cover, Base: FRP resin, semi-glossy Speaker panel: ABS resin, semi-glossy Legs: Aluminum, paint, semi-glossy
Color	Dark gray
Dimensions	$\phi 270 \times 335$ (h) mm
Weight	2.4 kg

Note

The design and specifications are subject to change without notice for improvement.

• Accessories

TOA label 2