

### DESCRIPTION

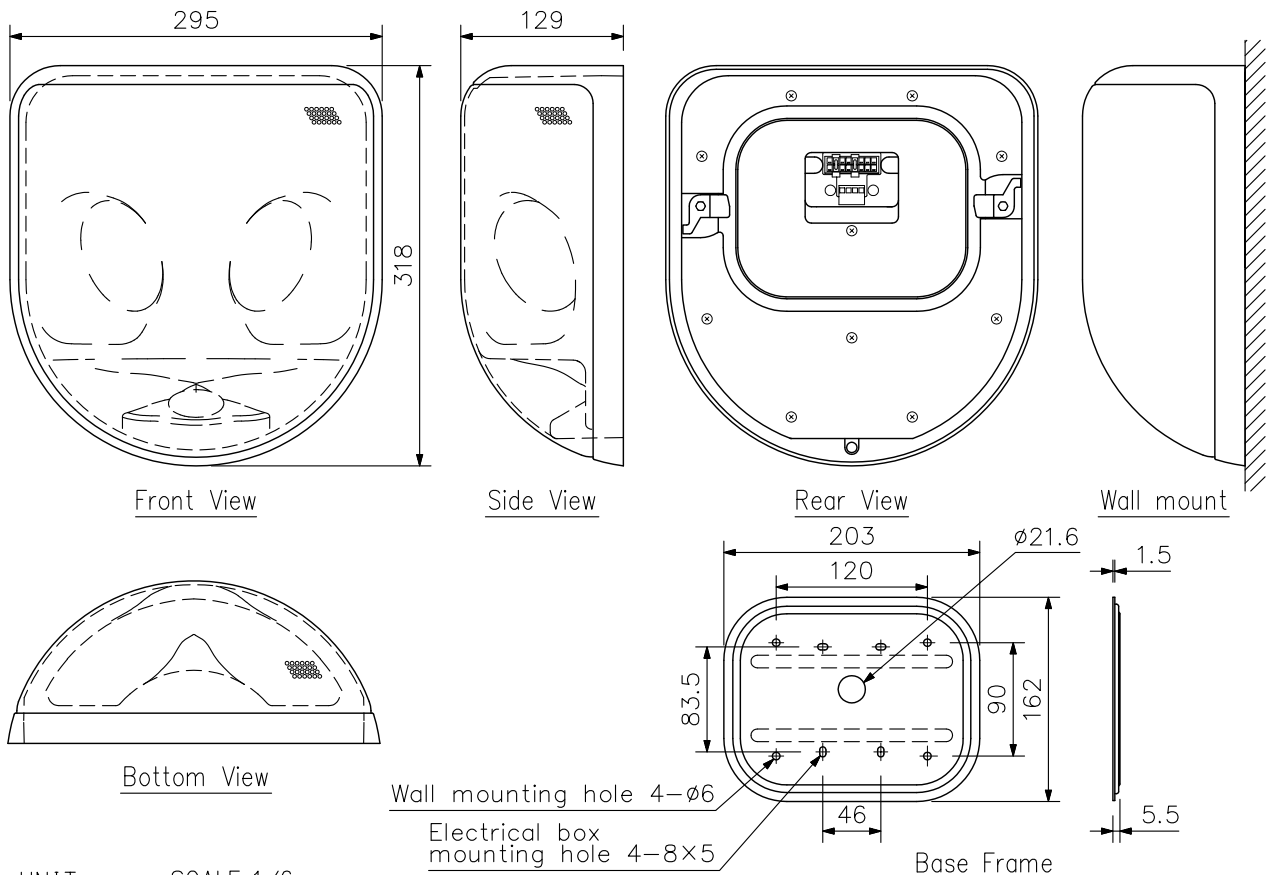
The H-3WP is a wall-mountable, outdoor 2-way speaker that provides horizontally-wide dispersion.

### SPECIFICATIONS

Enclosure	Sealed type
Power Handling Capacity	150 W (Continuous program/8 Ω) 50 W (Continuous pink noise/8 Ω)
Rated Input	30 W (16 Ω, high impedance)
Rated Impedance	8 Ω, 16 Ω 100 V line: 330 Ω (30 W), 670 Ω (15 W), 1.3 kΩ (7.5 W) 70 V line: 170 Ω (30 W), 330 Ω (15 W), 670 Ω (7.5 W), 1.3 kΩ (3.75 W)
Sensitivity	89 dB (1 W, 1 m) at installation in 1/2 free sound field (Measured by installing the unit in the center of a wall.)
Frequency Response	100 Hz – 20 kHz (-10 dB) at installation in 1/2 free sound field (Measured by installing the unit in the center of a wall.)
Crossover Frequency	4 kHz
Water Resistance	IPX4
Speaker Component	Low frequency: 10 cm cone-type × 2 High frequency: 2.5 cm dome-type (neodymium magnet)
Input Terminal	Detachable screw terminal, (+)/(-) 2 each (for bridging connection)
Usable Cable	Solid cable, stranded cable: 0.2 – 2.5 mm <sup>2</sup> (AWG No.24 – 14)
Finish	Enclosure: Fire-resistant ABS resin, black Front frame: Fire-resistant ABS resin, off-white, paint Punched net: Steel plate (zinc plating), off-white, powder coating Base frame: Stainless steel
Dimensions	295 (W) × 318 (H) × 129 (D) mm
Weight	3.3 kg
Accessory	Front grille .....1, Base frame .....1, Electrical box mounting screw .....1 set
Usable Electrical Box	2-gang type

Note: Avoid using the unit near the shore or at an indoor swimming pool, as doing so may significantly reduce the product life.

### APPEARANCE



UNIT:mm SCALE:1/6