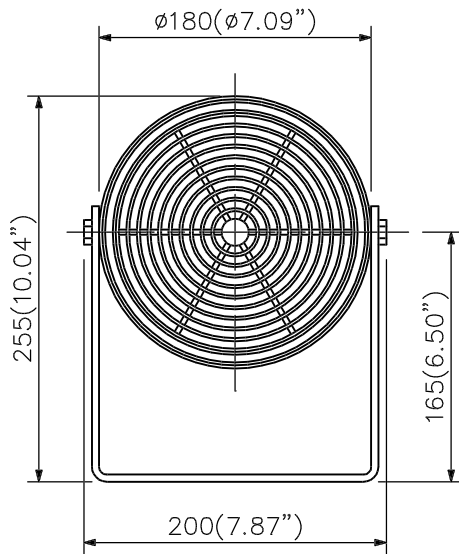


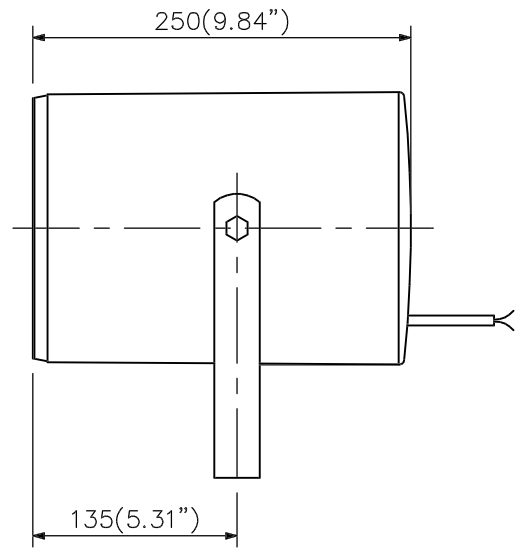
■ SPECIFICATIONS

Rated Input	20 W (50 V, 70 V, 100 V Line)
Input Impedance	100 V Line : 500 Ω (20 W), 1 kΩ (10 W), 2 kΩ (5 W) 70 V Line : 250 Ω (20 W), 500 Ω (10 W), 1 kΩ (5 W), 2 kΩ (2.5W) 50 V Line : 125 Ω (20 W), 250 Ω (10 W), 500 Ω (5 W), 1 kΩ (2.5 W), 2 kΩ (1.25 W)
Preset Impedance	500 Ω
Sound Pressure Level	95 dB (1 m, 1 W) at 1 kHz
Speaker Diameter	16 cm
Frequency Range	50 ~ 20,000 Hz
Finish	Cabinet, Cover : ABS Resin, Off-White Bracket : SPCC, Off-White
Dimensions (W×H×D)	200(7.87") × 255(10.04") × 250(9.84") mm
Weight	2.5 kg (5.51 lb.)

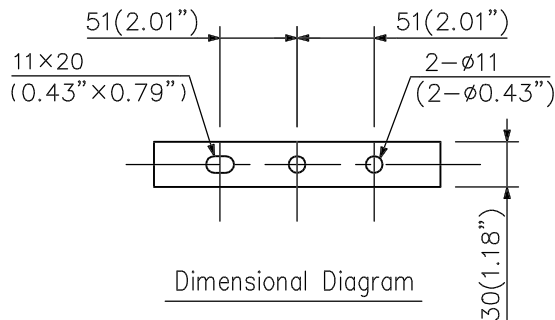
■ APPEARANCE



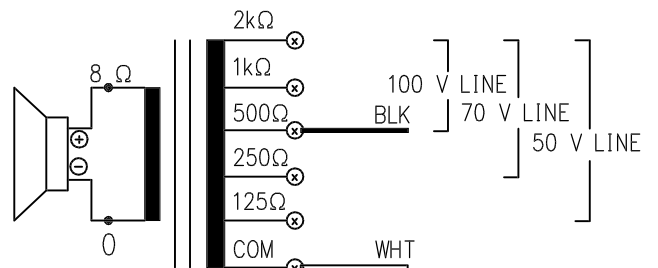
Front View



Side View



Dimensional Diagram



2-Wire-System

UNIT:mm SCALE:1/5