

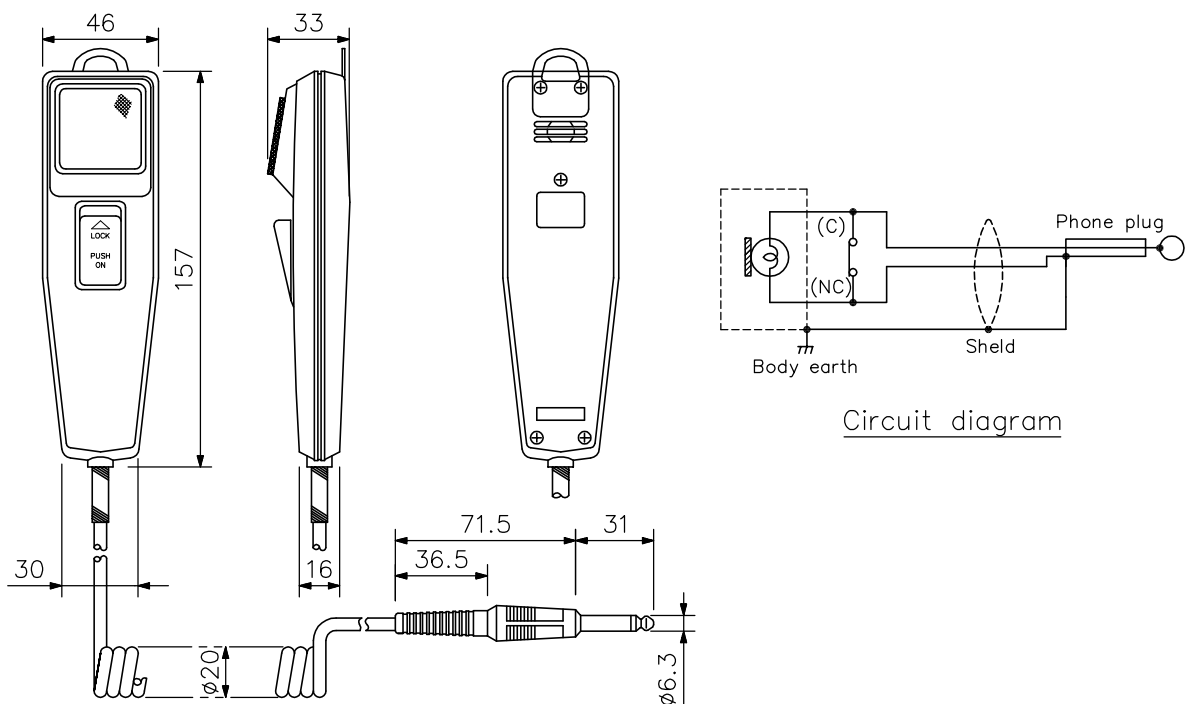
DESCRIPTION

The PM-120 is a dynamic and close talking microphone designed solely for paging applications.

SPECIFICATIONS

Type	Moving coil microphone
Directivity	Unidirectional
Frequency Response	50 - 12,000Hz (close-talking characteristic)
Rated Sensitivity	-56 dB (1 kHz, 0 dB = 1 V/Pa)
Rated Impedance	250 Ω , unbalanced
Recommended Load	150 - 5,000 Ω
Cable	Coiled cable $\phi 6 \times 2.5$ m (at a maximum extended length)
Talk Switch	Push-to-talk switch
Finish	Front: ABS resin, matte, champagne gold Rear: ABS resin, matte, black
Weight	230g
Option	Microphone hanger: 2202

Note: The microphone can be modified to the balanced type by changing a plug.

APPEARANCE


UNIT:mm SCALE:1/3