

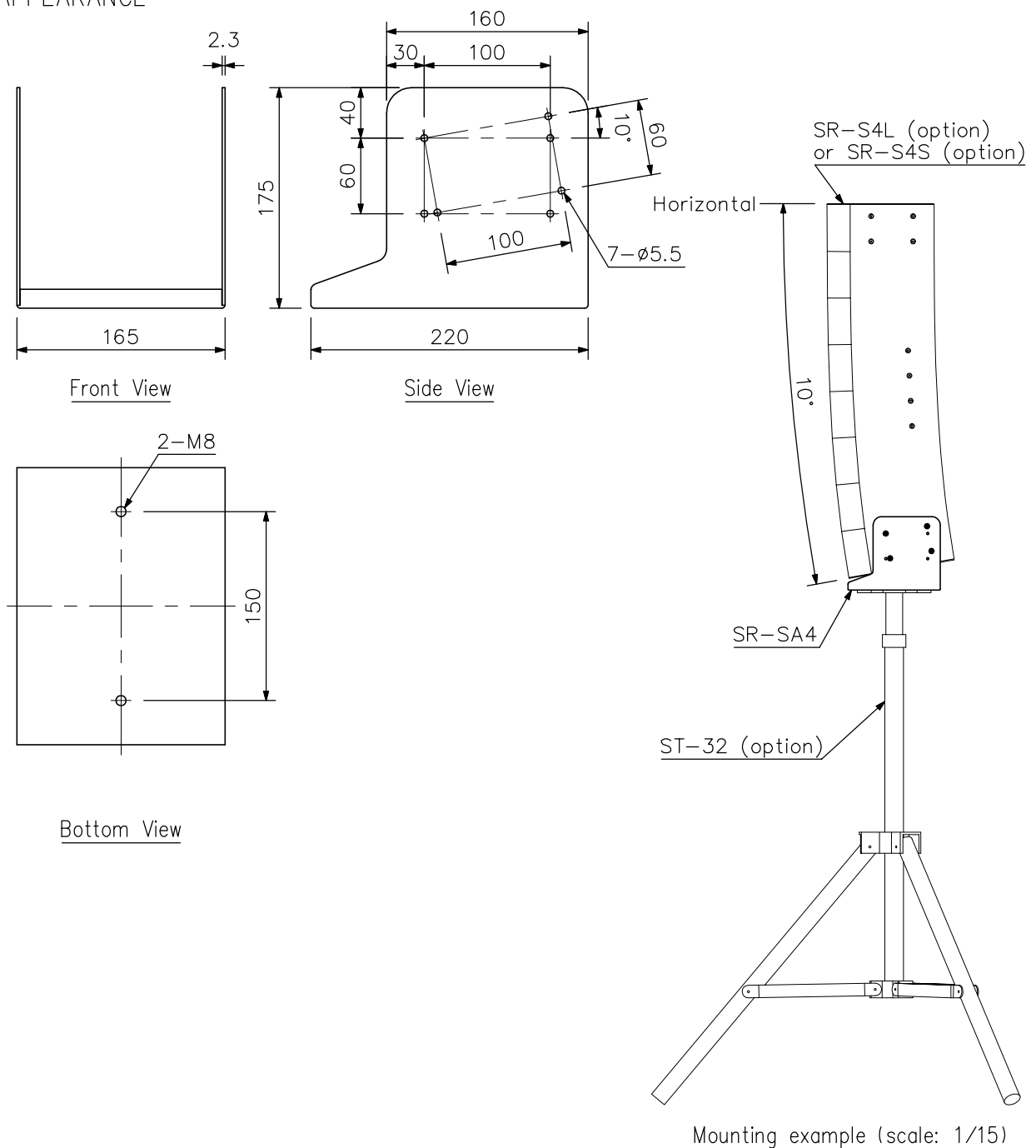
DESCRIPTION

The SR-SA4 is designed to be used to mount the Line Array Speaker system SR-S4L or SR-S4S on a speaker stand.

SPECIFICATIONS

Number of Speakers to be Mounted	1
Finish	Steel plate, white, paint
Dimensions	165 (W) × 175 (H) 220 (D) mm
Weight	1.7 kg (including accessories)
Accessory	Speaker mounting screw (M5 upset head) ×8
Applicable stand (option)	ST-32

APPEARANCE



UNIT:mm SCALE:1/5