

DESCRIPTION

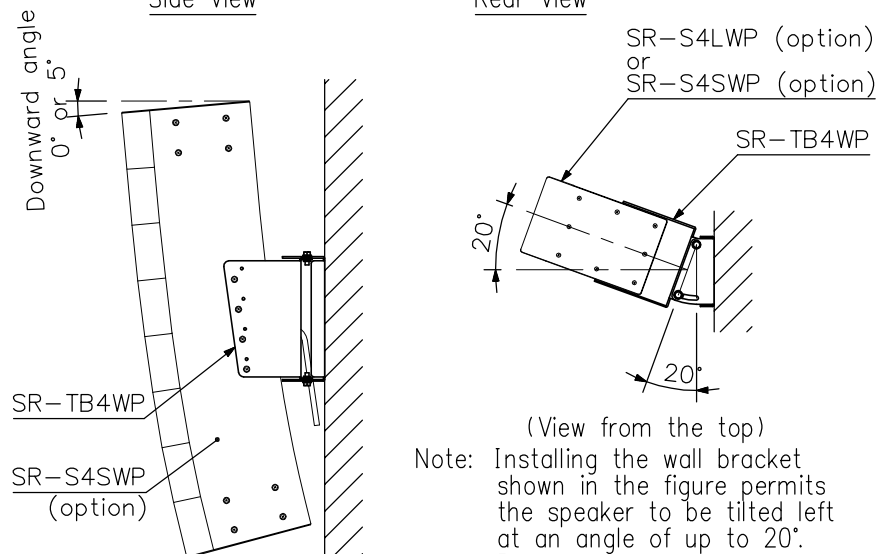
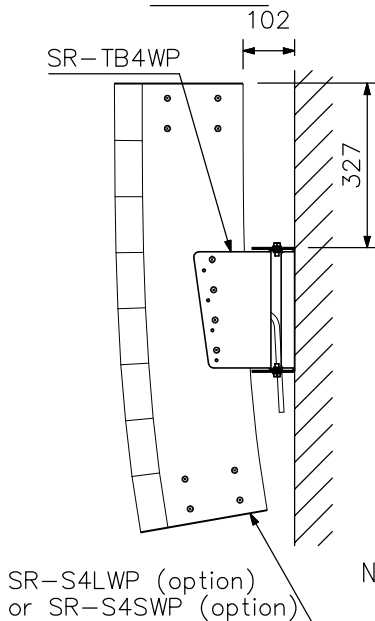
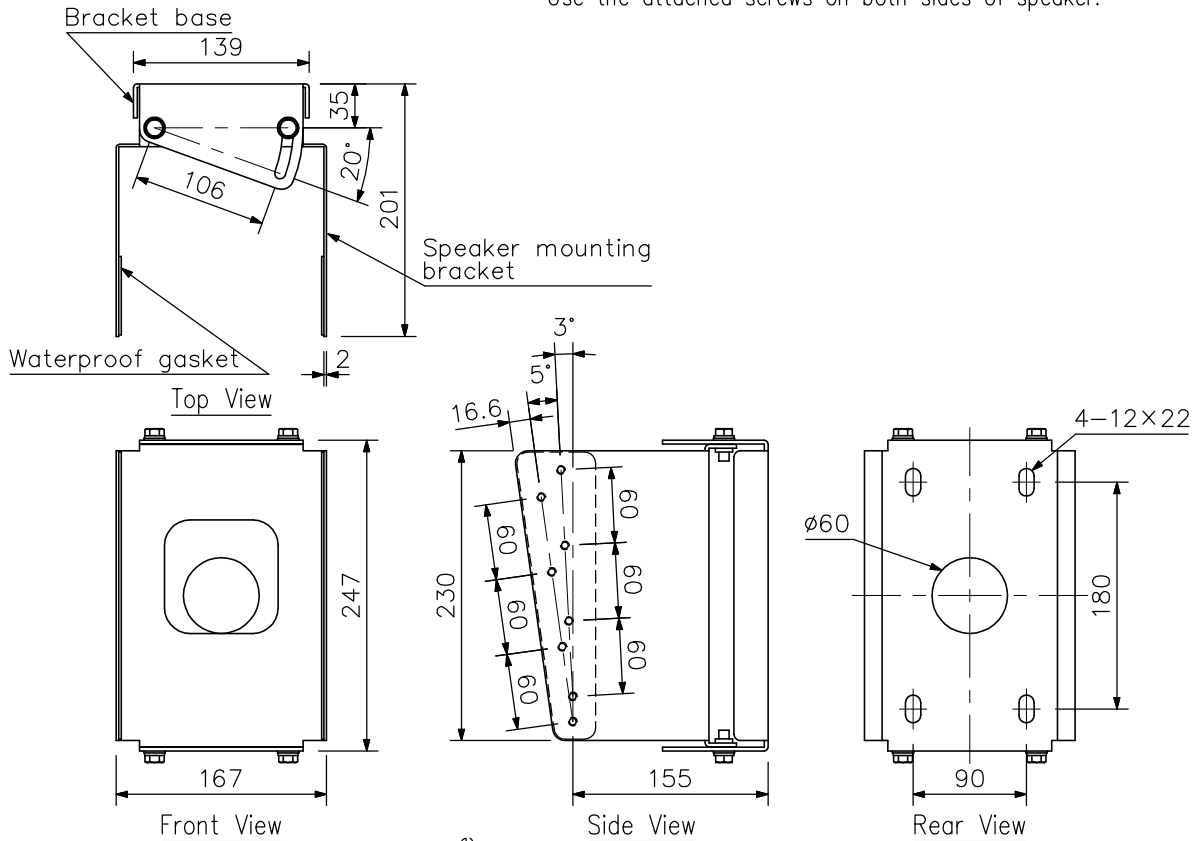
The SR-TB4WP is designed to be used to mount the Line Array Speaker system SR-S4LWP or SR-S4SWP on a wall. The downward angle can be set to either 0° or 5°, and the horizontal angle to up to 20°.

SPECIFICATIONS

Number of Speakers to be Mounted	1
Finish	Stainless steel (SUS304)
Dimensions	167 (W) × 247 (H) × 201 (D) mm (complete assembly)
Weight	2.8 kg (including accessories)
Product Composition	Speaker mounting bracket ×1, Bracket base ×1
Accessory	Bracket assembling screw (M8 upset head) ×4

APPEARANCE

Note: The speaker fixing screws are not supplied with the unit.
Use the attached screws on both sides of speaker.



(View from the top)
Note: Installing the wall bracket shown in the figure permits the speaker to be tilted left at an angle of up to 20°. Reversing the top and bottom wall bracket positions shown in the figure permits the speaker to be tilted right at an angle of up to 20°.

Note: When using the SR-S4SWP Line array speaker, it can be tilted downward at an angle of 0° or 5°.

Mounting example (scale: 1/15)

UNIT:mm SCALE:1/6