

DESCRIPTION

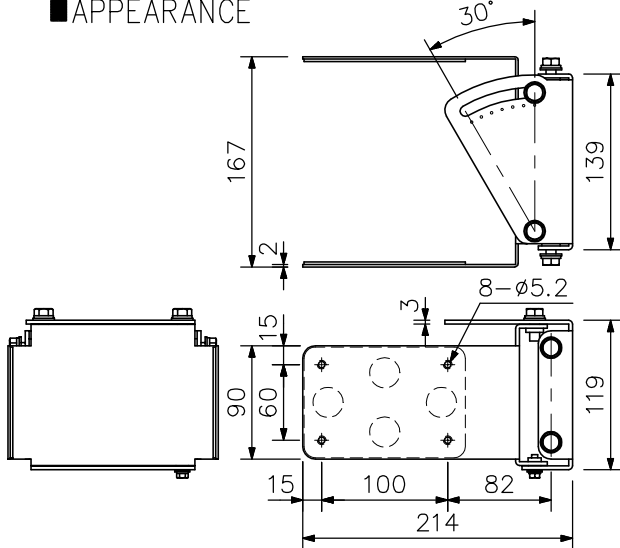
The SR-WB4WP bracket is used to mount the SR-S4LWP Line array speaker upright to the wall.

SPECIFICATIONS

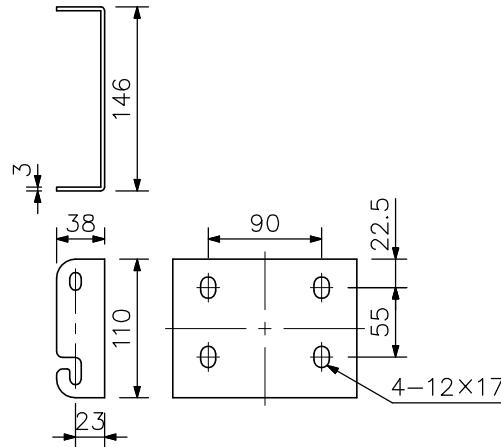
Number of Speakers to be Mounted	Max. 2 (when jointed with an optional SR-EP4WP)
Finish	Stainless steel (SUS304)
Weight	4.3 kg (including accessories)
Product Composition	Speaker mounting bracket A ...1, Speaker mounting bracket B ...1, Bracket base ...2
Accessory	Bracket assembling screw (M8 upset head) ...8
Option	Extension plate: SR-EP4WP

Note: The speaker fixing screws are not supplied with the unit.
Use the attached screws on both sides of speaker.

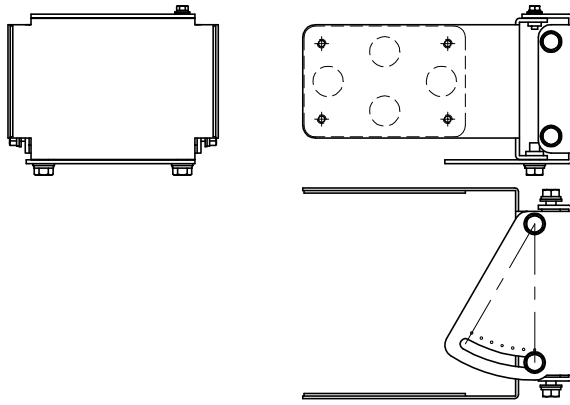
APPEARANCE



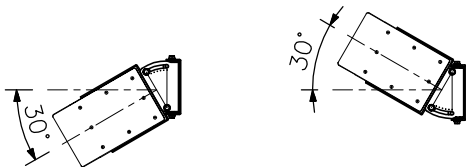
Speaker mounting bracket A



Bracket base



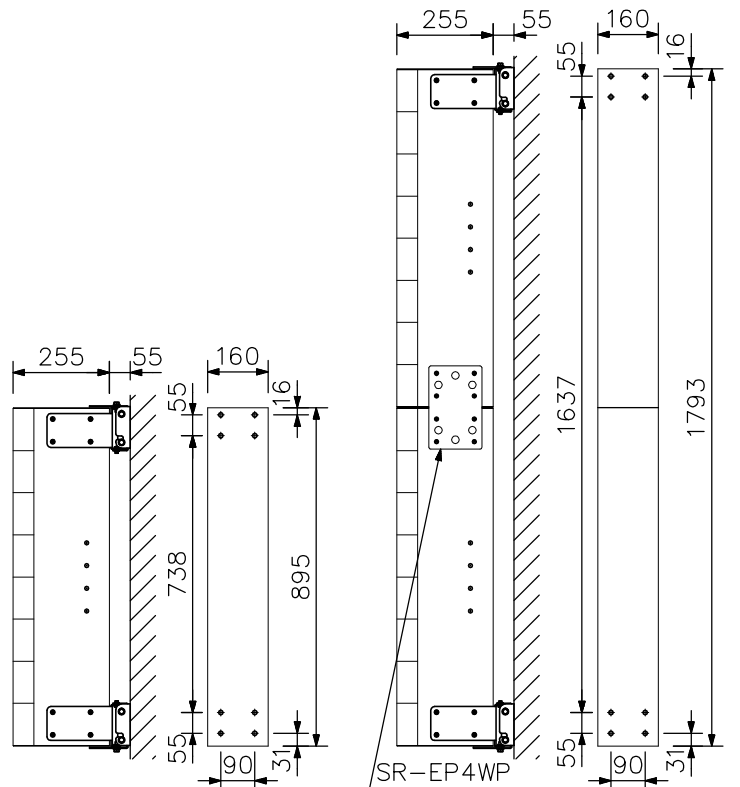
Speaker mounting bracket B



(When Bracket A is attached to the upper part of the speaker.)

(When Bracket B is attached to the upper part of the speaker.)

Note: When Speaker Bracket A is attached to the upper part of the speaker, the speaker can be tilted right at an angle of up to 30°. When Speaker Bracket B is attached to the upper part of the speaker, the speaker can be tilted left at an angle of up to 30°.



(Wall bracket mounting position)

(option) (Wall bracket mounting position)

(When installing one SR-S4LWP) (When 2 SR-S4LWP are jointed)

UNIT:mm SCALE:1/6

Mounting example (scale: 1/20)