

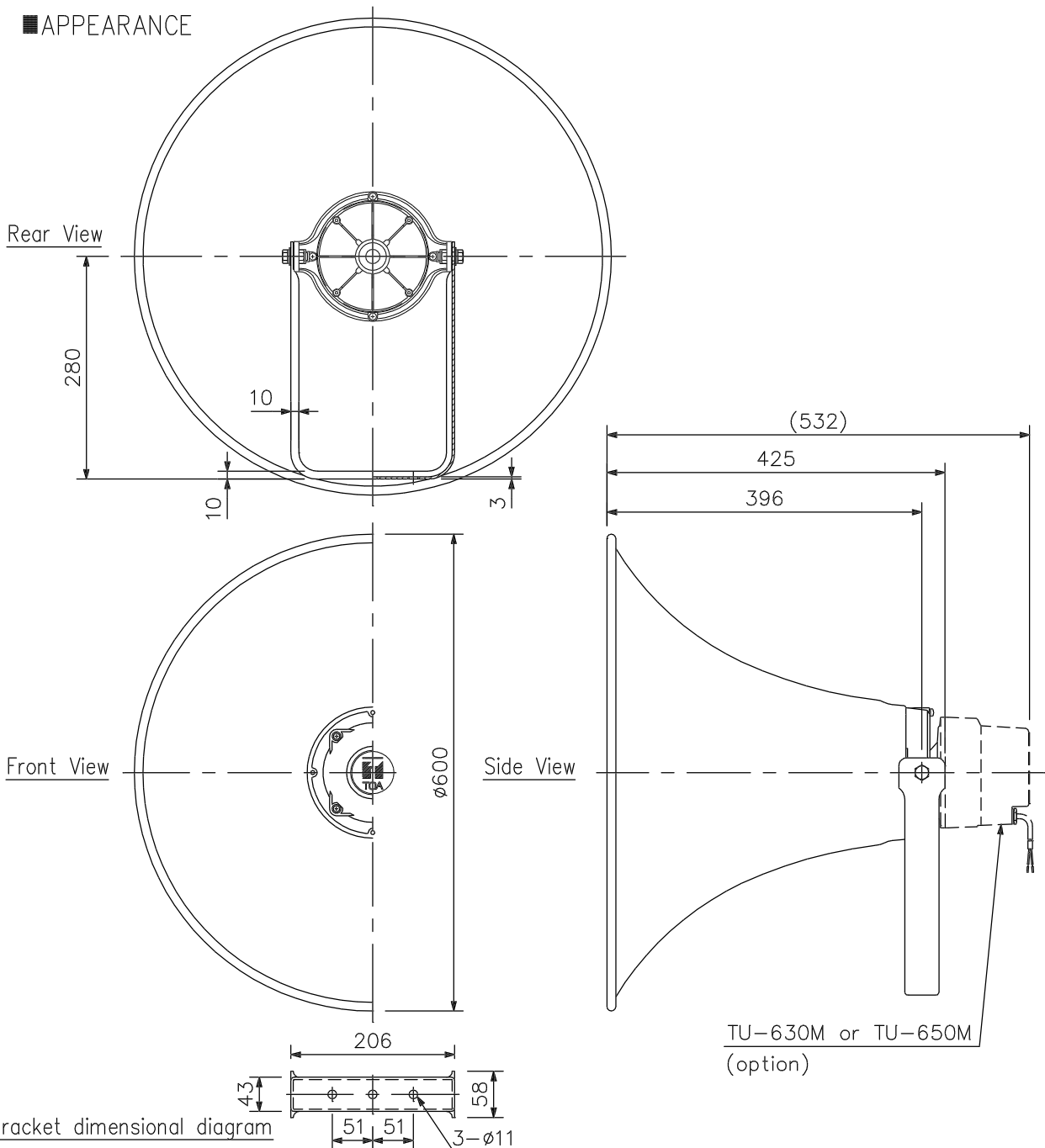
## DESCRIPTION

TOA's TH-660 is a speaker horn to be used in combination with an optional driver unit. Its powder-coated finish, and stainless steel screws ensure the unit's weatherproof capability.

## SPECIFICATIONS

Applicable Drivers	TU-630, TU-630M, TU-650, TU-650M
Sound Pressure Level	110 dB (1 W, 1 m) (When operated with a driver.)
Frequency Response	200 - 6,000 Hz (When operated with a driver.)
IP Code	IP 65 (When operated with a driver.)
Driver Coupling	1 - 3/8 18 threads (inch screw)
Operating Temperature	-20°C to +55°C (must be free from dew condensation)
Finish	Horn flare and flange: Aluminum, off-white, powder coating Reflector horn: ABS resin, off-white Bracket holder: Aluminum, gray, powder coating Bracket: Steel, gray, powder coating Screws and bolts: Stainless steel
Dimensions	ø600 X 425 (D) mm
Weight	3.6 kg

## APPEARANCE



UNIT:mm SCALE:1/8