

### DESCRIPTION

The TU-631M is a highly intelligible driver unit suited to public address announcement applications. Use the driver unit in combination with a suitable horn (optional). Its powder-coated finish and stainless steel screws ensure the unit's weatherproof capability.

### SPECIFICATIONS

Applicable Horns	TH-650, TH-660, TH-100* and TH-200*
Rated Input	30 W
Line Voltage	100 V line or 70 V line
Rated Impedance	100 V line: 330 Ω (30 W), 670 Ω (15 W), 1 kΩ (10 W), 2 kΩ (5 W) 70 V line: 170 Ω (30 W), 330 Ω (15 W), 670 Ω (7.5 W), 1kΩ (5W), 2kΩ (2.5 W)
Sensitivity	110 dB (1 W, 1 m) (When operated with JIS C 5504 standard horn.)
Frequency Response	150 – 6,000 Hz (When operated with JIS C 5504 standard horn.)
IP Code	IP 65 (When a driver is operated with a horn.)
Horn Coupling	1 – 3/8 18 threads (inch screw)
Polarity	Hot: Black, Com: White
Operating Temperature	-20°C to +60°C (-4°F to 140°F) (must be free from dew condensation)
Finish	Flange: Aluminum, gray, powder coating Rear cover: ABS resin, gray Screws: Stainless steel Speaker cable: Polyvinyl chloride insulated cabtyre cable (6 mm (0.24") in diameter, 600 mm (23.62") in length)
Dimensions	∅139 × 149 (D) mm (∅5.47" × 5.87")
Weight	1.9 kg (4.19 lb)
Option	Driver unit cover: UC-200A

Note (\*)

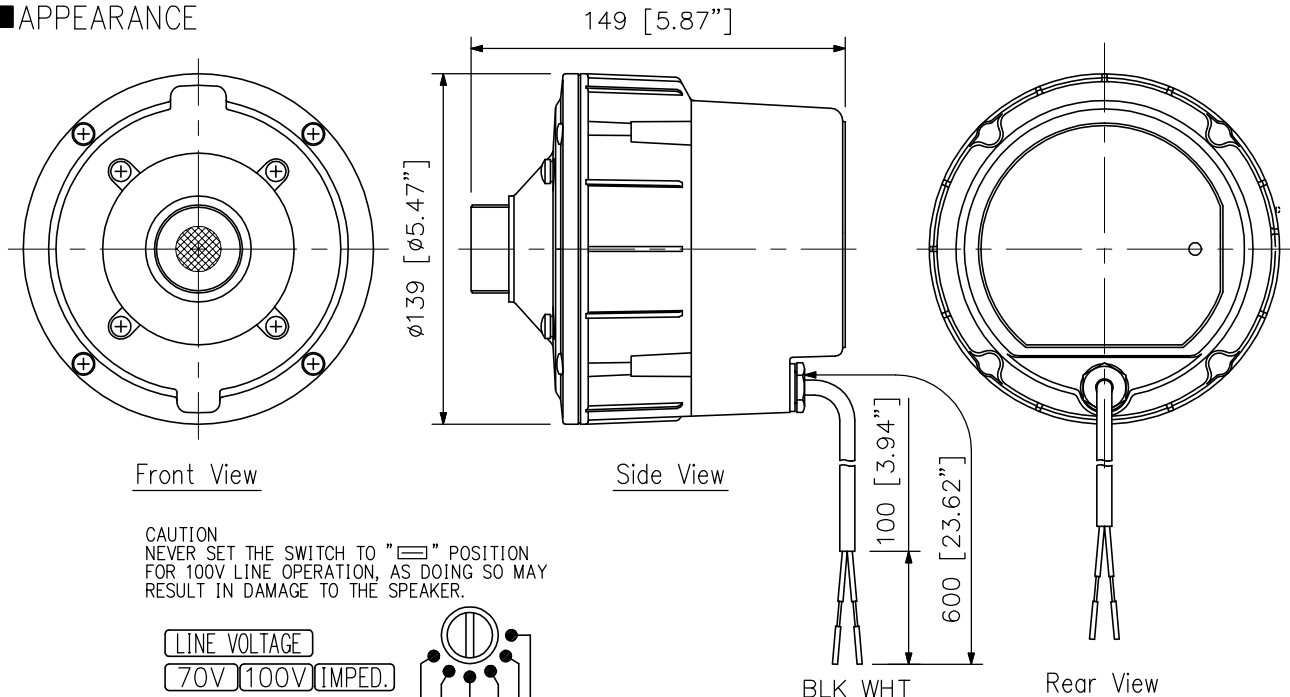
(1) When the driver unit cannot be mounted to the TH-100 or TH-200 speaker horn, first remove a horn coupler.

Attach the driver to the removed coupler, then reinstall the coupler assembly in the horn.

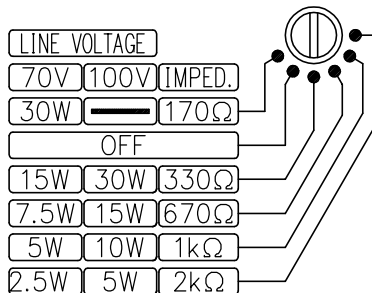
(2) Speaker cable connection

Remove connectors of cables from the TH-100's or TH-200's cover, and connect the driver's speaker cables to the horn cables of the same color.

### APPEARANCE

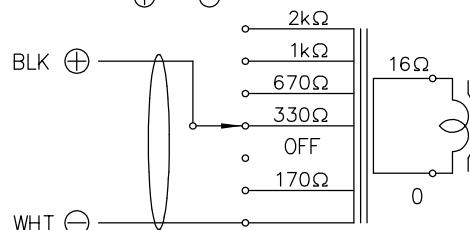


**CAUTION**  
NEVER SET THE SWITCH TO "OFF" POSITION FOR 100V LINE OPERATION, AS DOING SO MAY RESULT IN DAMAGE TO THE SPEAKER.



Set the impedance selector to the desired impedance.

#### Impedance Selection



(Transformer connection when the speaker is supplied from the factory)

#### Wiring diagram

UNIT:mm SCALE:1/3