

DESCRIPTION

The TU-651M is a highly intelligible driver unit suited to public address announcement applications. Use the driver unit in combination with a suitable horn (optional). Its powder-coated finish and stainless steel screws ensure the unit's weatherproof capability.

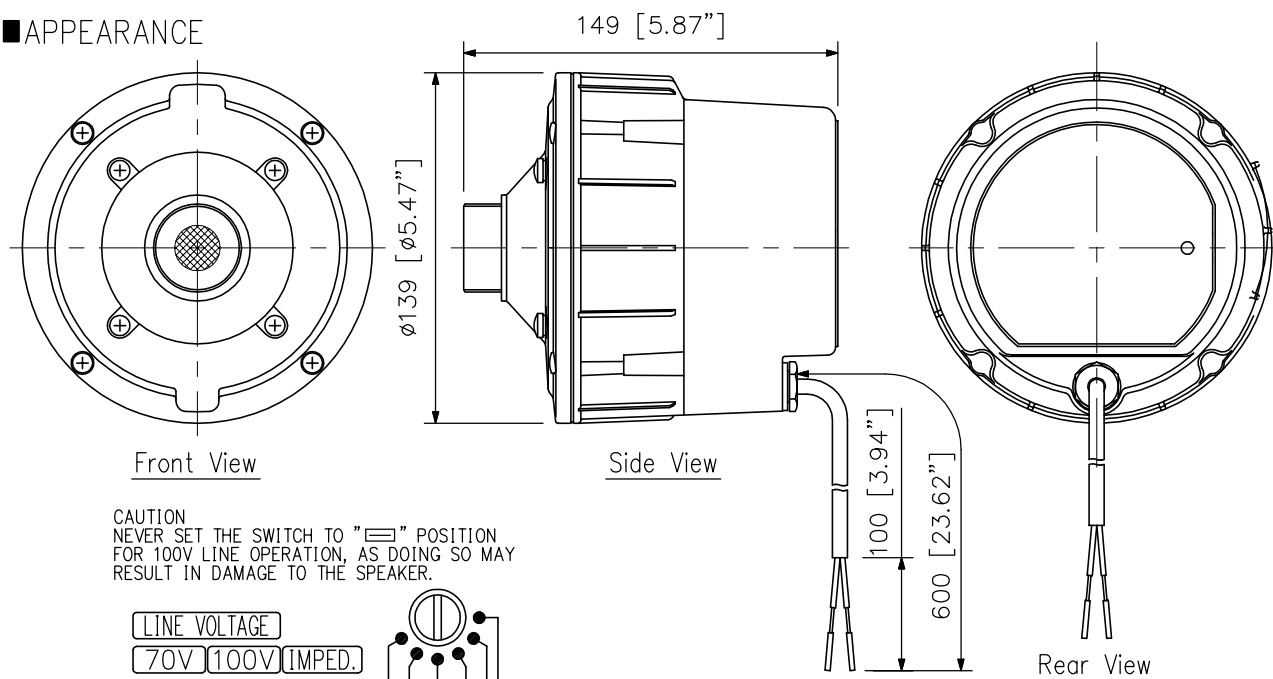
SPECIFICATIONS

Applicable Horns	TH-650, TH-660, TH-100* and TH-200*
Rated Input	50 W
Line Voltage	100 V line or 70 V line
Rated Impedance	100 V line: 200 Ω (50 W), 330 Ω (30 W), 670 Ω (15 W) 70 V line: 100 Ω (50 W), 200 Ω (25 W), 330 Ω (15 W), 670 Ω (7.5 W)
Sensitivity	110 dB (1 W, 1 m) (When operated with JIS C 5504 standard horn.)
Frequency Response	150 - 6,000 Hz (When operated with JIS C 5504 standard horn.)
IP Code	IP 65 (When a driver is operated with a horn.)
Horn Coupling	1 - 3/8 18 threads (inch screw)
Polarity	Hot: Black, Com: White
Operating Temperature	-20°C to +55°C (-4°F to 131°F) (must be free from dew condensation)
Finish	Flange: Aluminum, gray, powder coating Rear cover: ABS resin, gray Screws: Stainless steel Speaker cable: Polyvinyl chloride insulated cabtyre cable (6 mm (0.24") in diameter, 600 mm (23.62") in length)
Dimensions	ø139 X 149 (D) mm (ø5.47" X 5.87")
Weight	2.7 kg (5.95 lb)
Option	Driver unit cover: UC-200A

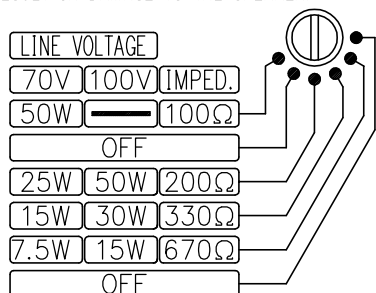
Note (*)

- (1) When the driver unit cannot be mounted to the TH-100 or TH-200 speaker horn, first remove a horn coupler.
Attach the driver to the removed coupler, then reinstall the coupler assembly in the horn.
- (2) Speaker cable connection
Remove connectors of cables from the TH-100's or TH-200's cover, and connect the driver's speaker cables to the horn cables of the same color.

APPEARANCE

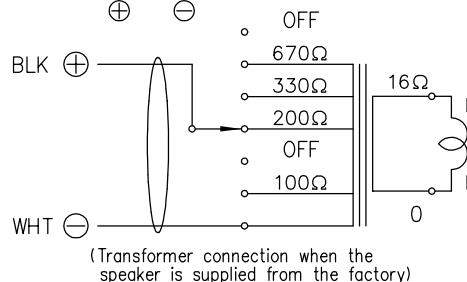


CAUTION
NEVER SET THE SWITCH TO "OFF" POSITION FOR 100V LINE OPERATION, AS DOING SO MAY RESULT IN DAMAGE TO THE SPEAKER.



Set the impedance selector to the desired impedance.

Impedance Selection



Wiring diagram

UNIT: mm SCALE: 1/3