

DESCRIPTION

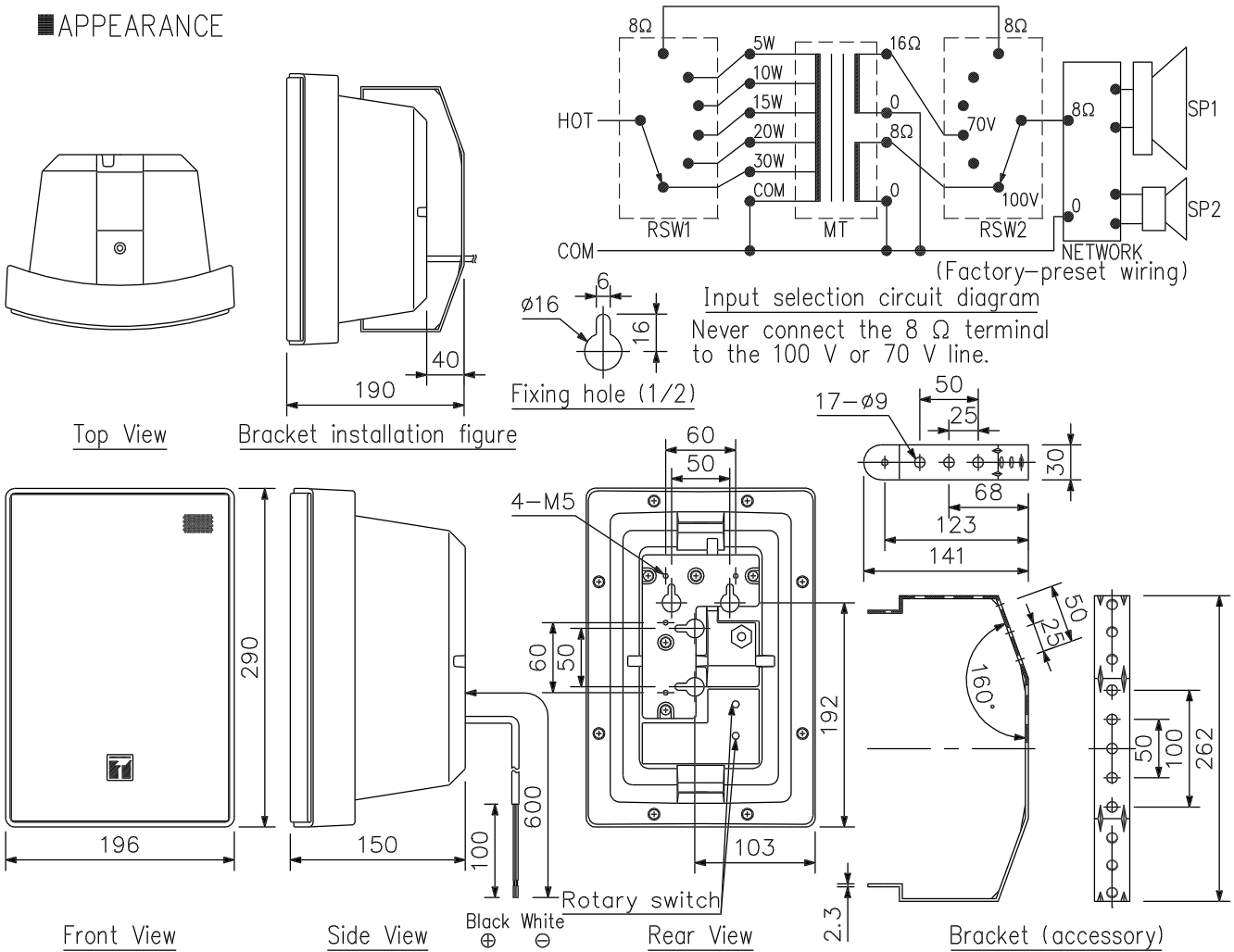
TOA's BS-1030B is a small, 2-way bass-reflex type speaker featuring a wide frequency range suitable for use for announcements and music playback. The BS-1030B can be used for both high-impedance and low-impedance applications. The speaker's splash-proof construction permits it to be installed under the eaves where the speaker is not directly exposed to rain.

SPECIFICATIONS

Enclosure	2-way bass-reflex type
Rated Input	30 W
Rated Impedance	8 Ω 100 V line: 330 Ω (30 W), 500 Ω (20 W), 670 Ω (15 W), 1 kΩ (10 W), 2 kΩ (5 W) 70 V line: 170 Ω (30 W), 250 Ω (20 W), 330 Ω (15 W), 500 Ω (10 W), 1 kΩ (5 W)
Sound Pressure Level	90 dB (1 W, 1 m)
Frequency Response	80 - 20,000 Hz
Speaker Component	12 cm cone-type + dome-type
Speaker Cord	2-core cabtyre cord with diameter of 6 mm
Operating Temperature	-10°C to +50°C
Water Resistance	IP-X4 (can be installed vertically or horizontally.*)
Finish	Enclosure: ABS resin, black (RAL9011 GRAPHITE BLACK), paint Net: Surface treated steel plate, black (RAL9011 GRAPHITE BLACK), powder coating Bracket: Surface treated steel plate, black equivalent to RAL9011 GRAPHITE BLACK, powder coating
Dimension	196 (W) X 290 (H) X 150 (D) mm (unit only)
Weight	2.5 kg (unit only)
Accessory	Bracket.....1, Bracket mounting screw.....2, Bracket mounting washer.....2
Option	Applicable bracket: WCB-12, TMB-1, SP-410 Applicable stand: ST-16

* Install with the front facing downward. Note that the splash-proof capability will be lost if installed face-up. The logo mark needs to be located in the lower section when the speaker is installed vertically, and on the right side of the speaker (as viewed from the front) when installed horizontally.

APPEARANCE



UNIT:mm SCALE:1/6