

# POWER MEGAPHONES

Anti-bacteria Treatment

## Splash-proof Hand Grip Type Megaphone



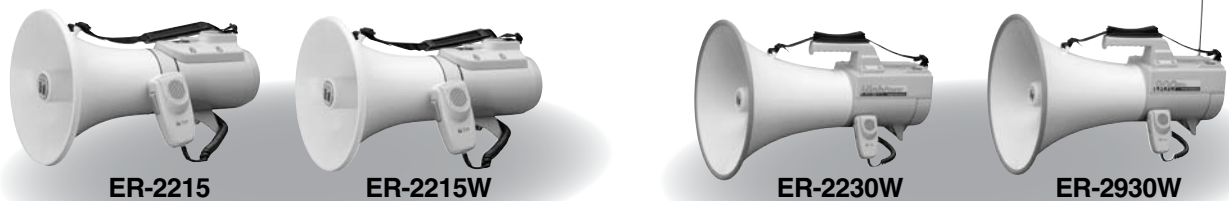
## Compact Hand Grip Type Megaphone



## Hand Grip Type Megaphone



## Shoulder Type Megaphone



### DESCRIPTION

TOA portable power megaphones are available in different configurations to meet different user needs. Every model now has been treated for antibacterial properties to cope with use in multi-user environments. From light and compact configurations to high-performance shoulder-mounted types, TOA power megaphones offer exceptional reliability and performance. Models are available with resistance to water and humidity, meeting ISO splash-resistance guidelines. There are also other models for enhanced power output as well as a choice of a whistle or siren feature. The top-of-the-line shoulder types provide the greatest output power as well range, also incorporating status indicators as well as AUX input and ETX. mic input. In addition, wireless microphone connectivity is available on one model for more flexible use. Featuring rugged construction for speaker elements and horns, TOA power megaphones prove ideal for voice reinforcement in almost any situation.

### FEATURES

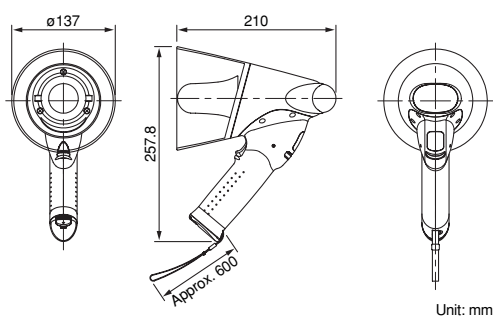
- Anti-bacterial treatment for all models (mouth/microphone and handle)
- Long-lasting battery life
- High durability ABS or ASA resin construction
- Compact and lightweight
- Wide frequency range for enhanced audio quality
- Neodymium magnets for high audio performance
- Polyimide speaker diaphragms
- Extended audible range
- Wireless Function (ER-2930W only)

# Splash-proof Hand Grip Type Megaphone



## ER-1203

The ER-1203 is a compact splash-proof megaphone rated at 3W output and features IPX5 water-jet-resistant designs. Handle and microphone with anti-bacteria treatment improve hygiene and safety during use.

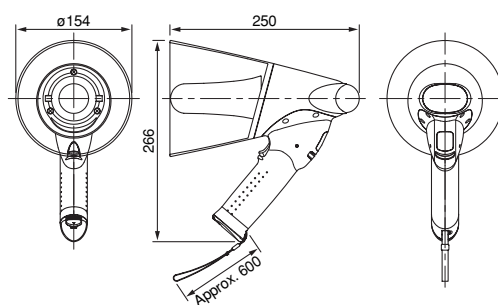


Unit: mm



## ER-1206

The ER-1206 is a compact splash-proof megaphone rated at 6W output and features IPX5 water-jet-resistant designs. It operates with 6 R6P batteries, or 4 R6P batteries when the battery spacer (accessory) is used. Handle and microphone with anti-bacteria treatment improve hygiene and safety during use.

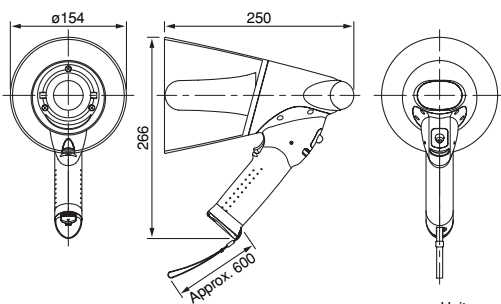


Unit: mm



## ER-1206W (with Whistle signal)

The ER-1206W is a compact splash-proof megaphone rated at 6W output featuring a built-in whistle. It features IPX5 water-jet-resistant designs. A whistle tone can be used for attracting attention. It operates with 6 R6P batteries, or 4 R6P batteries when the battery spacer (accessory) is used. Handle and microphone with anti-bacteria treatment improve hygiene and safety during use.

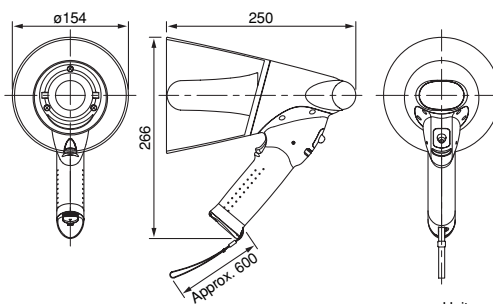


Unit: mm



## ER-1206S (with Siren signal)

The ER-1206S is a compact splash-proof megaphone rated at 6W output featuring a built-in siren. It features IPX5 water-jet-resistant designs. A whistle tone can be used for attracting attention. It operates with 6 R6P batteries, or 4 R6P batteries when the battery spacer (accessory) is used. Handle and microphone with anti-bacteria treatment improve hygiene and safety during use.



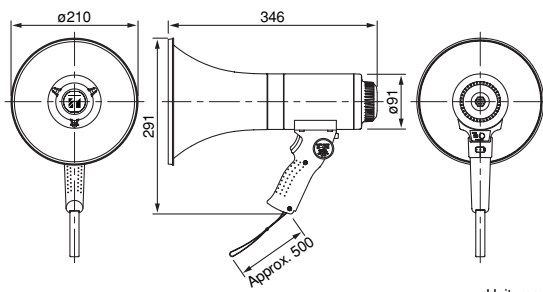
Unit: mm

# Hand Grip Type Megaphone



## ER-1215

The ER-1215 is an easy-to-operate, hand grip type megaphone rated at 15W output. Handle and microphone with anti-bacteria treatment improve hygiene and safety during use. The newly developed polyimide diaphragm is employed to ensure high sound quality.

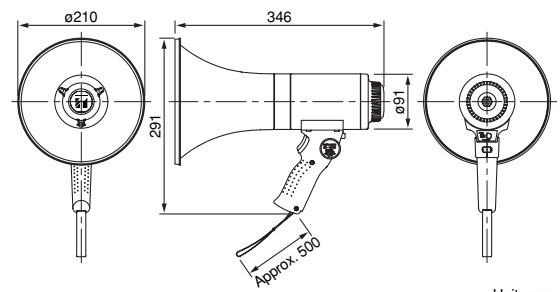


Unit: mm



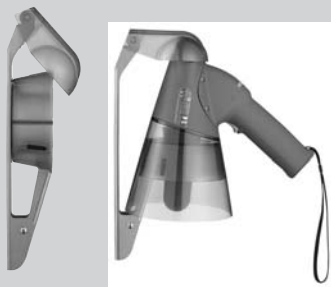
## ER-1215S (with Siren signal)

The ER-1215S is a hand grip type, 15W output megaphone with siren. Pressing the siren button sounds a siren continuously in emergency conditions. Handle and microphone with anti-bacteria treatment improve hygiene and safety during use. The newly developed polyimide diaphragm is employed to ensure high sound quality.



Unit: mm

## OPTIONS



### SP-1100

#### Wall Mounting Bracket

for ER-1203, ER-1206, ER-1206W, ER-1206S.

### ST-16

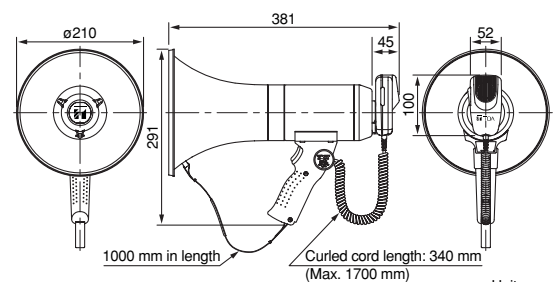
#### Microphone Stand

for ER-2215, ER-2215W, ER-2230W, ER-2930W.



## ER-3215

The ER-3215 is an easy-to-operate, hand grip type 15W megaphone. It can be used as a shoulder-type megaphone when, the microphone is detached. Handle and microphone with anti-bacteria treatment improve hygiene and safety during use. The newly developed polyimide diaphragm is employed to ensure high sound quality.



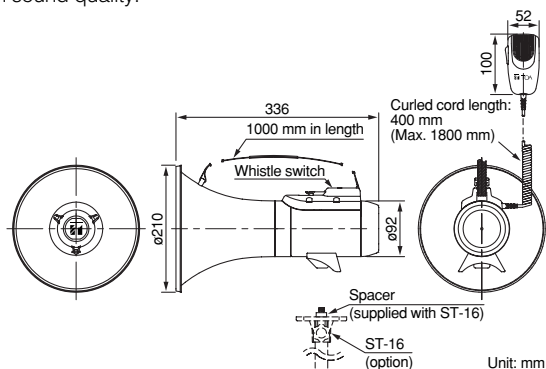
Unit: mm

# Shoulder Type Megaphone



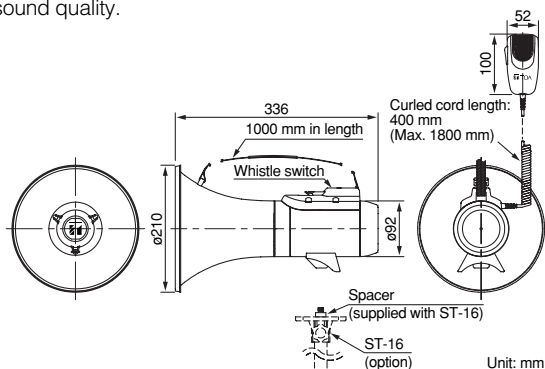
## ER-2215

The ER-2215 is an easy-to-operate, shoulder megaphone rated at 15W of output and having a separate microphone. It can be mounted to the optional ST-16 speaker stand. Microphone with anti-bacteria treatment improve hygiene and safety during use. The newly developed polyimide diaphragm is employed to ensure high sound quality.



## ER-2215W (with Whistle signal)

The ER-2215W is a shoulder megaphone rated at 15W output. The ER-2215W comes with a whistle and has a separate microphone. It can be mounted to the optional ST-16 speaker stand. Microphone with anti-bacteria treatment improve hygiene and safety during use. The newly developed polyimide diaphragm is employed to ensure high sound quality.

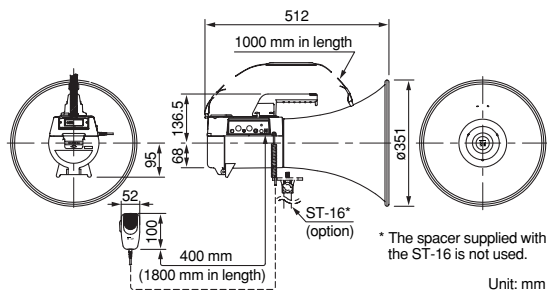


Control panel



## ER-2230W (with Whistle signal)

The ER-2230W is a shoulder megaphone having an EXT. mic input, AUX input, DC power input, battery meter and whistle function. It can be mounted to the optional ST-16 speaker stand. Microphone with anti-bacteria treatment improve hygiene and safety during use. The newly developed polyimide diaphragm is employed to ensure high sound quality.

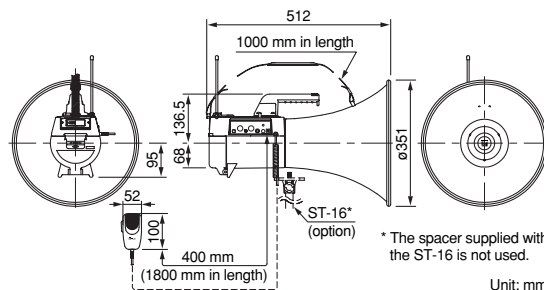


Control panel



## ER-2930W (with Whistle signal)

The ER-2930W is a shoulder megaphone having an EXT. mic input, AUX input, DC power input, battery meter and whistle function. It can be mounted to the optional ST-16 speaker stand. Microphone with anti-bacteria treatment improve hygiene and safety during use. The newly developed polyimide diaphragm is employed to ensure high sound quality. A wireless function is also provided.

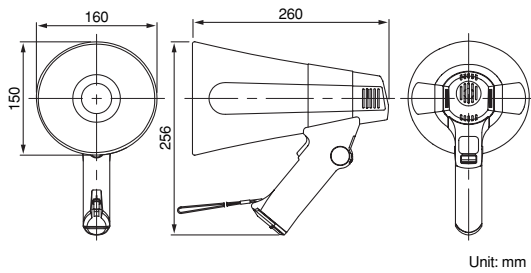


# Compact Hand Grip Type Megaphone



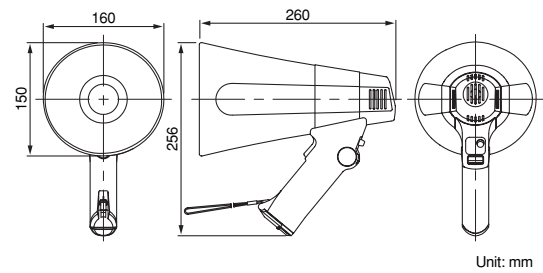
## ER-520

Small in size and light in weight, the ER-520 megaphone can be easily carried by a single hand. Handle and microphone with anti-bacteria treatment improve hygiene and safety during use. The newly developed polyimide diaphragm is employed to ensure high sound quality.



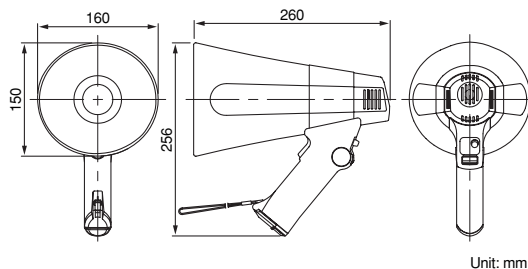
## ER-520W (with Whistle signal)

Small in size and light in weight, the ER-520W megaphone can be easily carried by a single hand. It can also provide a whistle tone. Handle and microphone with anti-bacteria treatment improve hygiene and safety during use. The newly developed polyimide diaphragm is employed to ensure high sound quality.



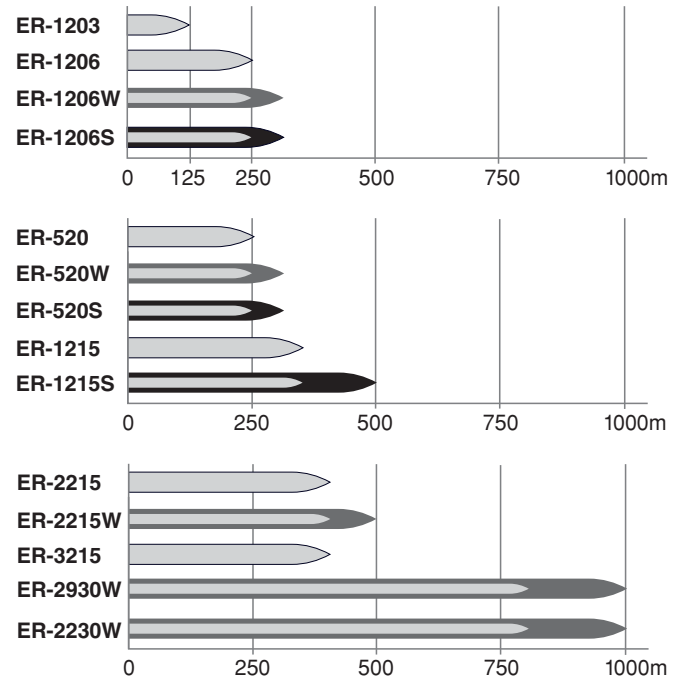
## ER-520S (with Siren signal)

Small in size and light in weight, the ER-520S megaphone can be easily carried by a single hand. It can also provide a siren tone. Handle and microphone with anti-bacteria treatment improve hygiene and safety during use. The newly developed polyimide diaphragm is employed to ensure high sound quality.



### Audible Range

Voice Whistle Siren





# SPECIFICATIONS

	ER-1203	ER-1206	ER-1206W	ER-1206S
<b>Power Source</b>	R6P (AA) × 4 (6V DC)	R6P (AA) × 6 (9V DC) or R6P (AA) × 4 with battery spacer (6V DC)		
<b>Rated Output</b>	3W	6W		
<b>Maximum Output</b>	4W	10W		
<b>Battery Life</b>	Approx. 8 hours (JEITA)*2	When using six R6P batteries (JEITA)*2 Voice: Approx. 8 hours — When using four R6P batteries (JEITA)*2 Voice: Approx. 5 hours	When using six R6P batteries (JEITA)*2 Voice: Approx. 8 hours, Whistle: Approx. 20 minutes When using four R6P batteries (JEITA)*2 Voice: Approx. 5 hours, Whistle: Approx. 10 minutes	When using six R6P batteries (JEITA)*2 Voice: Approx. 8 hours, Siren: Approx. 20 minutes When using four R6P batteries (JEITA)*2 Voice: Approx. 5 hours, Siren: Approx. 10 minutes
<b>Audible Range</b>	Voice: Approx. 125m (JEITA)*2 —	Voice: Approx. 250m (JEITA)*2	Voice: Approx. 250m (JEITA)*2 Whistle: Approx. 315m (JEITA)*2	Voice: Approx. 250m (JEITA)*2 Siren: Approx. 315m (JEITA)*2
<b>Signal Sound</b>	—	—	Whistle	Siren (sounds of 5 seconds intervals)
<b>Frequency Response</b>	500 – 6,000Hz (SPL –20dB)	450 – 6,000Hz (SPL –20dB)		
<b>Magnetic Circuit</b>	Neodymium magnet, inner magnet type			
<b>Diaphragm</b>	Polyimide film (voice coil, bobbin)			
<b>Anti-bacteria Treatment</b>	Mouth and handle			
<b>Water Protection</b>	IPX5			
<b>Operating Temperature</b>	–10°C to +40°C			
<b>Finish</b>	Horn: ASA resin, clear dark gray Other: ASA resin, dark gray Strap: Nylon, black	Horn: ASA resin, clear dark gray Other: ASA resin, dark gray Strap: Nylon, black	Horn: ASA resin, clear dark gray Other: ASA resin, yellow Strap: Nylon, black	Horn: ASA resin, clear red Other: ASA resin, red Strap: Nylon, black
<b>Dimensions</b>	137 (W) × 257.8 (H) × 210 (D)mm	154 (W) × 266 (H) × 250 (D)mm		
<b>Weight</b>	610g (without batteries)	660g (without batteries)	680g (without batteries)	680g (without batteries)
<b>Accessory</b>	— Battery spacer × 1			
<b>Option</b>	Wall mounting bracket for megaphone : SP-1100			

	ER-520	ER-520W	ER-520S	ER-1215	ER-1215S
<b>Power Source</b>	R6P (AA) × 8 (12V DC)			R14P (C) × 6 (9V DC)	
<b>Rated Output</b>	6W			15W	
<b>Maximum Output</b>	10W			23W	
<b>Battery Life</b>	Approx. 10 hours (JEITA)*2 —	Voice: Approx. 10 hours (JEITA)*2 Whistle: Approx. 30 min (JEITA)*2	Voice: Approx. 10 hours (JEITA)*2, Silent: Approx. 40 min (JEITA)*2	Voice: Approx. 14 hours (JEITA)*2 —	Voice: Approx. 14 hours (JEITA)*2, Siren: Approx. 20 min (JEITA)*2
<b>Audible Range</b>	Voice: Approx. 250m (JEITA)*2 —	Voice: Approx. 250m (JEITA)*2, Whistle: Approx. 315m (JEITA)*2	Voice: Approx. 250m (JEITA)*2 Silent: Approx. 315m (JEITA)*2	Voice: Approx. 315m (JEITA)*2 —	Voice: Approx. 315m (JEITA)*2, Siren: Approx. 500m (JEITA)*2
<b>Signal Sound</b>	—	Whistle	Siren	—	Siren
<b>Diaphragm</b>	Polyamide film (voice coil, bobbin)				
<b>Anti-bacteria Treatment</b>	Mouth and handle				
<b>Operating Temperature</b>	–10°C to +40°C				
<b>Finish</b>	Horn: ABS resin, light gray Others: ABS resin, gray Strap: Nylon, black	Horn: ABS resin, light gray Others: ABS resin, gray Strap: Nylon, black	Horn: ABS resin, red Others: ABS resin, red Strap: Nylon, black	Horn: ABS resin, light gray Others: ABS resin, gray Strap: Nylon, black	Horn: ABS resin, red Others: ABS resin, red Strap: Nylon, black
<b>Dimensions</b>	160 (W) × 256 (H) × 260 (D)mm			210 (W) × 291 (H) × 346 (D)mm	
<b>Weight</b>	620g (without batteries)	650g (without batteries)	650g (without batteries)	1.1kg (without batteries)	1.2kg (without batteries)

	ER-2215	ER-2215W	ER-3215	ER-2230W	ER-2930W
<b>Power Source</b>	R14P (C) × 6 (9V DC)			Battery: R20P (D) × 10 (15V DC) External Power: 12V DC Battery	
<b>Rated Output</b>	15W			30W	
<b>Maximum Output</b>	23W			45W	
<b>Battery Life</b>	Approx. 9 hours (JEITA)*2 —	Voice: Approx. 9 hours (JEITA)*2 Whistle: Approx. 20 min (JEITA)*2	Voice: Approx. 9 hours (JEITA)*2 —	Voice: Approx. 17 hours (JEITA)*2 Whistle: Approx. 90 min (JEITA)*2	Voice: Approx. 17 hours (JEITA)*2, Whistle: Approx. 90 min (JEITA)*2
<b>Audible Range</b>	Voice: Approx. 400m (JEITA)*2 —	Voice: Approx. 400m (JEITA)*2, Whistle: Approx. 500m (JEITA)*2	Voice: Approx. 400m (JEITA)*2 —	Voice: Approx. 800m (JEITA)*2, Whistle: Approx. 1000m (JEITA)*2	Voice: Approx. 800m (JEITA)*2, Whistle: Approx. 1000m (JEITA)*2
<b>Signal Sound</b>	—	Whistle (1,600Hz to 2,400Hz)	—	Whistle (1,600Hz to 2,400Hz)	
<b>AUX Input Sensitivity</b>	—	—	—	–10dB* (300mV), 10kΩ (ø3.5 mini jack, stereo plug acceptable), volume control	
<b>EXT Mic Input</b>	—	—	—	600Ω, unbalanced, ø6.3 phone jack, volume control	
<b>Receiving Frequency</b>	—	—	—	—	
<b>Antenna</b>	—	—	—	UHF (800MHz band) and VHF (200MHz band) Fold-down flexible antenna	
<b>Diaphragm</b>	Polyimide film (voice coil, bobbin)				
<b>Anti-bacteria Treatment</b>	Microphone		Mouth and handle		Microphone
<b>Remaining Battery Indication</b>	—	—	—	LED (also serves as a power indicator) Stereo ON: Normal use, Flashing: Batteries need replacement	
<b>Operating Temperature</b>	–10°C to +40°C				
<b>Finish</b>	Horn: ABS resin, light gray Microphone and others: ABS resin, gray Strap: Nylon, black			Horn ring: Vinyl chloride, gray Horn: Aluminum, light gray, paint Case top: Die-cast aluminum, gray, paint Strap: Nylon, black, Others: ABS resin, gray	
<b>Dimensions</b>	ø210 × 336mm		210 (W) × 291 (H) × 381 (D)mm (when attaching the microphone)		ø351 × 512mm
<b>Weight</b>	Body: 1.1kg (without microphone and batteries) Microphone: 150g	Body: 1.2kg (without microphone and batteries) Microphone: 150g	Body: 1.15kg (without microphone and batteries) Microphone: 150g	3.6kg (without microphone and batteries) Microphone: 150g	3.8kg (without microphone and batteries) Microphone: 150g
<b>Accessories</b>	—			ø3.5 mini plug (AUX input x 1, External power supply cord (1m) x1, Splash-proof cover x 1*3)	
<b>Option</b>	Speaker stand: ST-16		—	Speaker stand: ST-16, Microphone: DM series	Speaker stand: ST-16, Microphone: DM series Wireless Microphone: WM-3220 series, WM-3310 series, WM-4200 series, WM-4300 series Wireless tuner: WTU-3800 series, WTU-4800 series

Note: Batteries are optional

\*1 0dB = 1V

\*2 JEITA: Japan electronics and information technology industries association. (EIAJ TT-4501A)

\*3 Do not use in heavy rains or strong winds, or in locations where the unit is directly exposed to water even using with the supplied splash-proof cover.

### Note on the audible range and battery life

- The indications of the audible range and battery life are based on the JEITA Standard\*2.
- Audible Range presumes that the megaphone employs new batteries and is used on a quiet street.  
It varies depending on such conditions as battery consumption, ambient noise, wind direction and obstacles.
- Battery Life assumes that megaphone is used for 30 minutes a day.



TOA Corporation

URL : [www.toa.jp/](http://www.toa.jp/)

Specifications are subject to change without notice.  
Printed in Japan (0506) 833-52-334-30 U